



# RESIDENTIAL ALÉSIO II™ HIGH DENSITY™ TOILET SEAT



MODEL # \_\_\_\_\_ COLOR # \_\_\_\_\_

## 1652CHSL/NISL

### DESCRIPTION:

Closed front with cover, elongated, High Density™ molded wood toilet seat. Features two large, no-slip luxury bumpers, Chrome or Brushed Nickel Whisper•Close® hinges with STA-TITE® Seat Fastening System™.

### SPECIFICATIONS:

Size:	Elongated
Material:	High Density™ Molded Wood
Style:	Closed Front with Cover
Bumpers:	Two
Hinges:	Chrome or Brushed Nickel Whisper•Close®
Fastening System:	STA-TITE® Seat Fastening System™

### FEATURES:

Whisper•Close®

STA-TITE® Seat Fastening System™



METAL WHISPER•CLOSE®  
HINGES



WHISPER•CLOSE®  
FEATURE

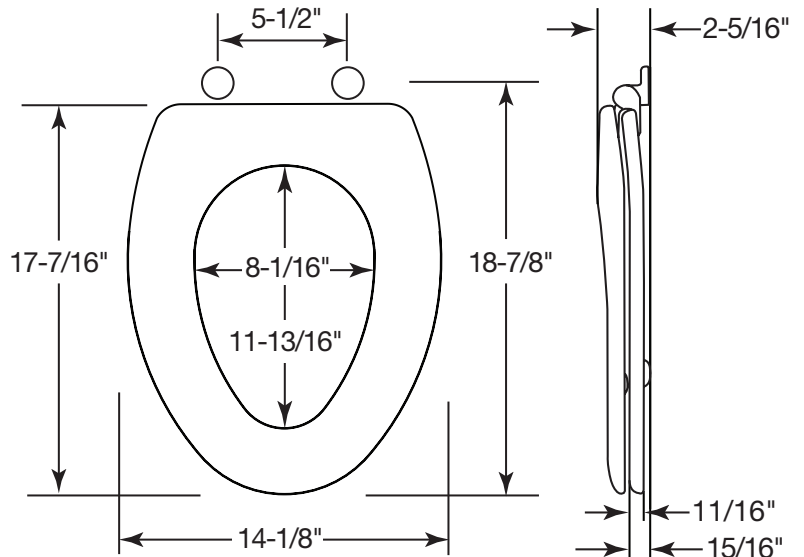


NO-SLIP LUXURY BUMPERS



STA-TITE® SEAT  
FASTENING SYSTEM™

### DIMENSIONS:



Proudly Made in the USA

Bemis Manufacturing Co., Sheboygan Falls, WI 53085  
www.ToiletSeats.com

Phone: 800-558-7651 Fax: 800-292-3647