



RESIDENTIAL ALËSIO II™ HIGH DENSITY™ TOILET SEAT



MODEL #

COLOR #

840CHSL/NISL

DESCRIPTION:

Closed front with cover, round, High Density™ molded wood toilet seat. Features two large, no-slip luxury bumpers, Chrome or Brushed Nickel Whisper•Close® hinges with STA-TITE® Seat Fastening System™.

SPECIFICATIONS:

Size:	Round
Material:	High Density™ Molded Wood
Style:	Closed Front with Cover
Bumpers:	Two
Hinges:	Chrome or Brushed Nickel Whisper•Close®
Fastening System:	STA-TITE® Seat Fastening System™

FEATURES:

Whisper•Close®

STA-TITE® Seat Fastening System™



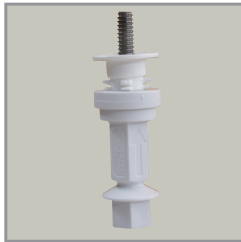
METAL WHISPER•CLOSE®
HINGES



WHISPER•CLOSE®
FEATURE

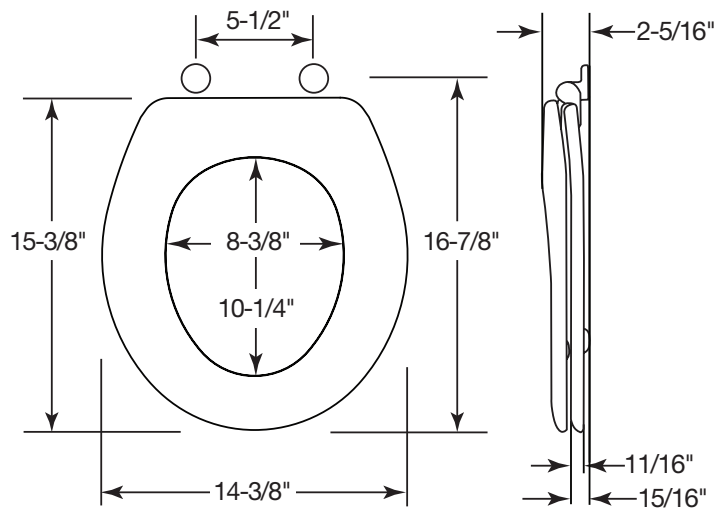


NO-SLIP LUXURY BUMPERS



STA-TITE® SEAT
FASTENING SYSTEM™

DIMENSIONS:



Proudly Made in the USA

Church Seats, Sheboygan Falls, WI 53085
www.ToiletSeats.com

Phone: 800-233-7328 Fax: 800-292-3647
©2014 0B7082214 REVA