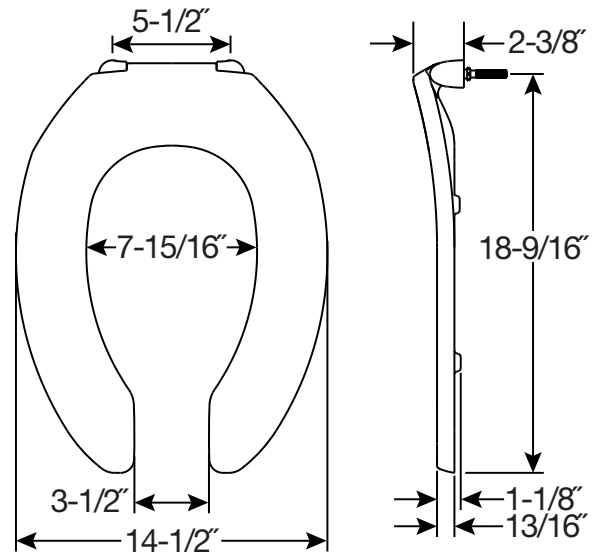




10SSCTFR

COMMERCIAL HEAVY-DUTY
PLASTIC TOILET SEAT



FEATURES:

- **STA-TITE® Commercial Fastening System™**
Eliminates callbacks for loosened seats
- **FirePro™**
Manufactured with fire-retardant additive
- **DuraGuard® Antimicrobial ***
Built-In Seat Protection™

SPECIFICATIONS:

- Size:** Elongated
- Material:** Plastic
- Style:** Open Front less Cover
- Ring Bumpers:** Four
- Hinges:** Plastic Self-Sustaining Check Hinges with Non-Corroding 300 Series Stainless Steel Posts and Pintles
- Hardware:** STA-TITE® Commercial Fastening System™

Codes & Standards:



Meets the UL-94 V0 flammability rating

** DuraGuard Antimicrobial does not protect users against bacteria, viruses, or other disease organisms. Always clean and wash this product thoroughly before and after each use.*

