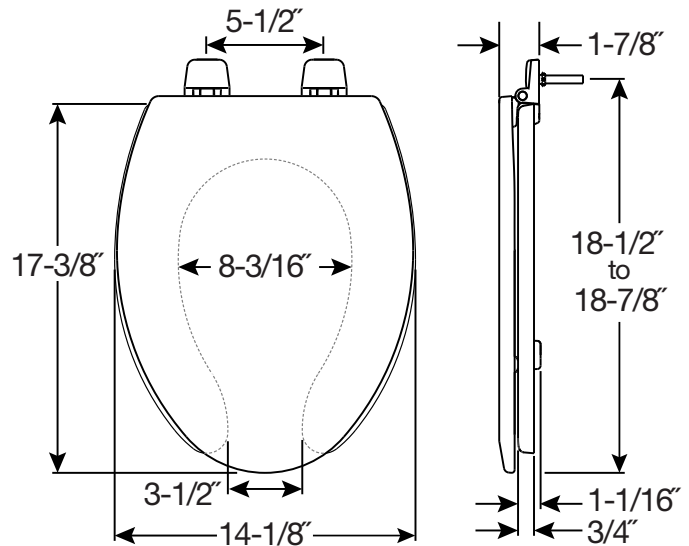




1550TTT

RESIDENTIAL ENAMELED WOOD TOILET SEAT



FEATURES:

- **Top-Tite STA-TITE® Seat Fastening System™**
Never Loosens™
- **Precision Seat Fit™**
3/8" front-to-back adjustability provides the perfect bowl fit

SPECIFICATIONS:

Size: Elongated

Material: Enameled Wood

Style: Open Front with Cover

Ring Bumpers: Two

Hinges: Plastic

Hardware: Top-Tite STA-TITE® Seat Fastening System™ with Non-Corroding Bolts and Wing Nuts



Proudly Made in the USA

Eco-Friendly

