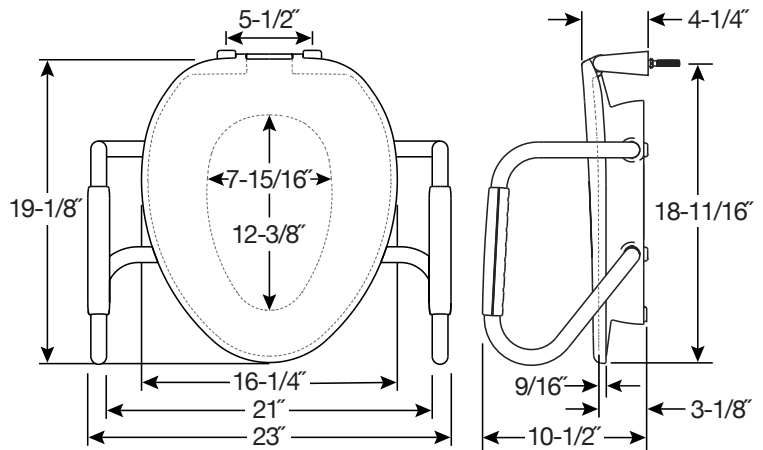
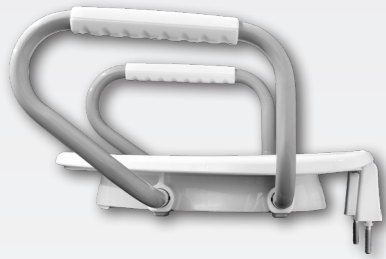
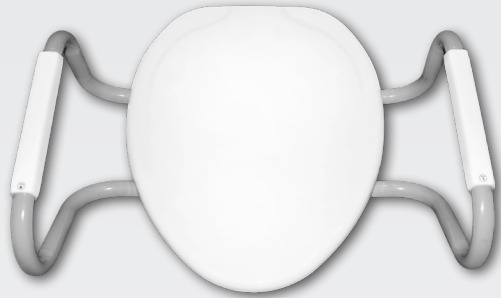


CLEAN SHIELD® E85310ARM

RAISED TOILET SEAT 3"
WITH SUPPORT ARMS



FEATURES:

- **Snap 2 Secure® Commercial Fastening System**
Seat will not wiggle or loosen
- **Weight Bearing Support Arms**
Will fully support the user; tested to 350 lbs each side
- **Residential Appearance**
Blends into residential bathrooms
- **Reverse "Funnel" Shield**
Keeps everything in the bowl; avoids contact with waste
- **Oversized Ring**
Provides greater seating comfort; tested to 1,000 lbs
- **Raised Seat**
Provides 3" of additional height

SPECIFICATIONS:

Size: Elongated

Material: Plastic

Style: Closed Front with Cover

Ring Bumpers: Four

Hinges: Plastic with Non-Corroding 300 Series Stainless Steel Posts and Pintles

Hardware: Snap 2 Secure® Commercial Fastening System

Weight Capacity: Tested to 1,000 lbs *

Support Arms Weight Capacity: Tested to 350 lbs

Codes & Standards:



Complies with
IAPMO/ANSI Z124.5
Performance Standards
Heavy-Duty Commercial

* Always check the load-bearing weight of the water closet.

