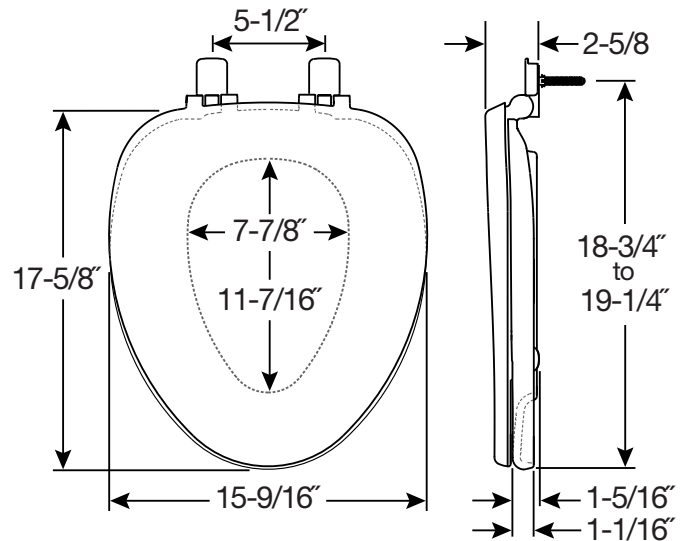


TRUCOMFORT™ 1870FZ

RESIDENTIAL PLASTIC TOILET SEAT



FEATURES:

- **Ergo•Curve™**
Contoured ring provides support
- **FLEX•ZONES™**
Relieve pressure points
- **STA-TITE®**
Seat Fastening System™
Never Loosens™
- **Whisper•Close®**
Slowly and quietly closes
- **Easy•Clean®**
Quickly removes for easy cleaning
- **Precision Seat Fit™**
½" front-to-back adjustability provides the perfect bowl fit
- **Super Grip Bumpers™**
Provides greater stability

SPECIFICATIONS:

- Size:** Elongated
- Material:** Plastic
- Style:** Closed Front with Cover
- Ring Bumpers:** Two
- Hinges:** Plastic
- Hardware:** STA-TITE® Seat Fastening System™

