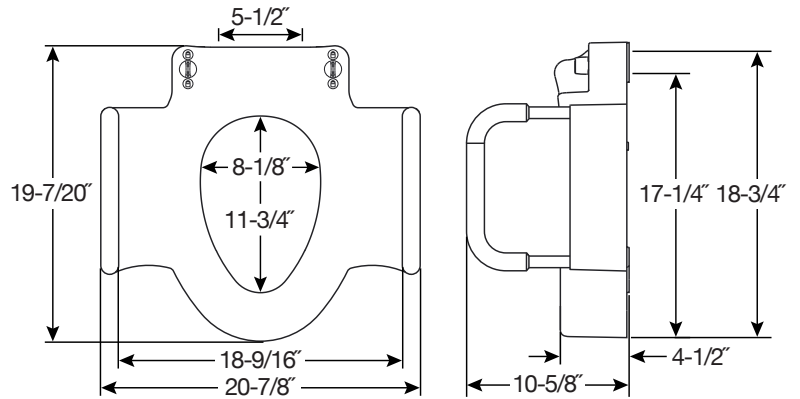




RISE™ A84505T

4.5" BASIC RAISED TOILET SEAT
+ SUPPORT ARMS



FEATURES:

- **4.5" Raised Seat**
Assists with sitting and standing
- **Support Arms**
Reduces strains and falls
- **Stay-Tite™
Seat Fastening System™**
Never loosens. Guaranteed.
- **Easy-Clean®**
Removes for Easy Cleaning
- **Universal Seat™**
Fits both round and elongated toilets

SPECIFICATIONS:

- Size:** Round / Elongated
- Material:** Plastic
- Style:** Closed Front less Cover
- Hardware:** Stay-Tite™ Seat Fastening System™
- Seat Capacity:** 300 lbs * | 18-9/16" between arms
- Support Arm Capacity:** 200 lbs each

Codes & Standards:



Complies with
IAPMO/ANSI Z124.5
Performance Standards
Heavy-Duty Commercial

* Always check the load-bearing weight of the water closet.

