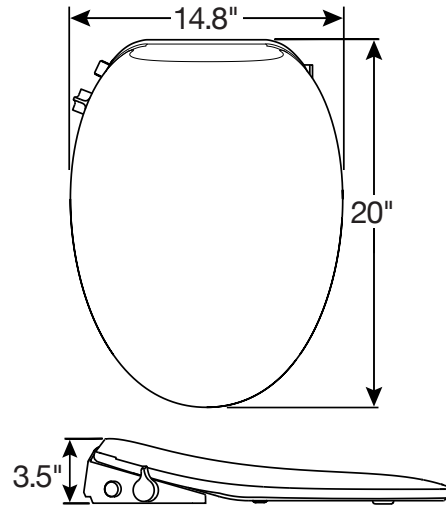




# HAVEN 2000™ HV2000E

ELECTRIC BIDET TOILET SEAT



Dual Nozzle



Heated Seat



Unlimited Warm Water



Warm Air Dryer



Comfort Control Knob



Stay-Tite®



Whisper-Close®

## FEATURES:

- Dual Nozzle
- Heated Seat
- Unlimited Warm Water
- Warm Air Dryer
- Comfort Control Knob
- Stay-Tite®
- Whisper-Close®

## SPECIFICATIONS:

**Size:** Elongated

**Material:** Polypropylene

**Style:** Closed Front with Cover

**Ring Bumpers:** Four

**Hinges:** Plastic

**Hardware:** Stay-Tite® Seat Fastening System™

**Power Rating:** AC 120V, 60 Hz, 1050W, 8.75 amps \*

**Power Cord Length:** 48"

**Bidet Water Hose Length:** 17.25"

**Power Requirement:** GFCI Outlet

**Codes & Standards:**



Complies with IAPMO/ANSI Z124.5 Standards Residential Classification



\* Recommended 15 amp circuit