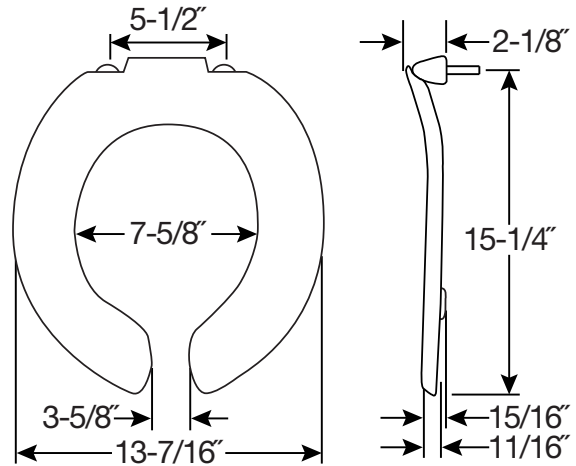




126CAMT

COMMERCIAL HEAVY-DUTY
PLASTIC TOILET SEAT



FEATURES:

- **STA-TITE® Commercial Fastening System™**
Eliminates callbacks for loosened seats
- **DuraGuard® Antimicrobial ***
Built-In Seat Protection™

SPECIFICATIONS:

Size: Baby / Toddler

Material: Plastic

Style: Open Front less Cover

Ring Bumpers: Two

Hinges: Plastic with Non-Corroding 300 Series Stainless Steel Posts and Pintles

Hardware: STA-TITE® Commercial Fastening System™

Codes & Standards:



Complies with
IAPMO/ANSI Z124.5
Performance Standards
Heavy-Duty Commercial

** DuraGuard Antimicrobial does not protect users against bacteria, viruses, or other disease organisms. Always clean and wash this product thoroughly before and after each use.*



Proudly Made in the USA

Eco-Friendly

